



marLED® E1
Examination Light

Reliable and safe – designed to simplify the day-to-day work of specialists

Reliable surgical lighting is indispensable in clinics and doctors' surgeries. The examination lights from KLS Martin make day-to-day work easier both for examinations and surgery preparations.



Efficient LED technology and flexibility for optimum support in day-to-day work

These examination lights bring state-of-the-art LED technology to the field of medical examinations and stand out with high flexibility and good positioning of the light head in day-to-day work environments.

Variable mounting options – adaptable for any room

Ceiling mounting, wall mounting, rail clamp or mobile tripod: marLED® E1 examination lights can be used flexibly and will cover all of your room lighting requirements.





Many advantages and benefits for you

- State-of-the art LED technology
- Exceptional lighting power and efficiency
- Long LED service life
- Ease of handling
- Functional and ergonomic design
- Comfortable positioning
- Ergonomic handle
- Low weight
- Completely enclosed light system
- Easy to clean
- High standards of hygiene

Advantages for your ecological balance

For everyone who is already thinking about tomorrow today, marLED® E1 is the lighting solution of choice. Not only because it ensures optimized lighting of the wound area, but because it also delivers impressive energy efficiency. This certainly adds up. For the clinic, for patients – and for the environment.

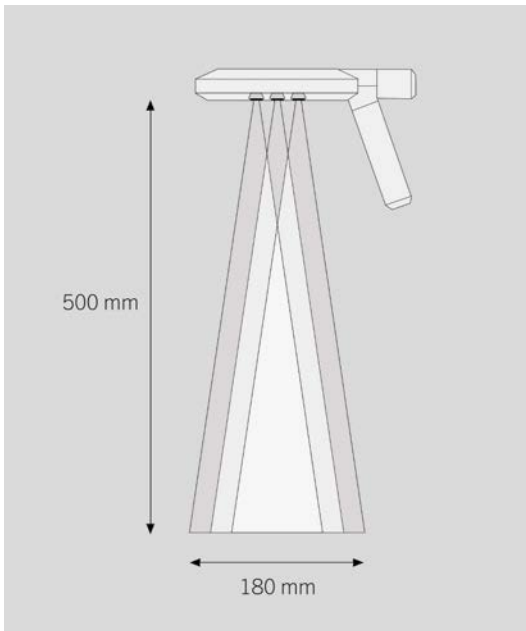
Small but powerful

The marLED® E1 impresses with its slender design and professional quality of light. With its high-quality optics and innovative LEDs of the newest generation it offers outstanding illumination and an excellent homogenous light field with maximum freedom from shadowing.

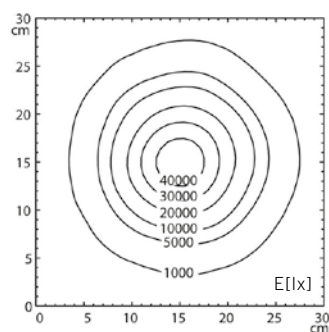
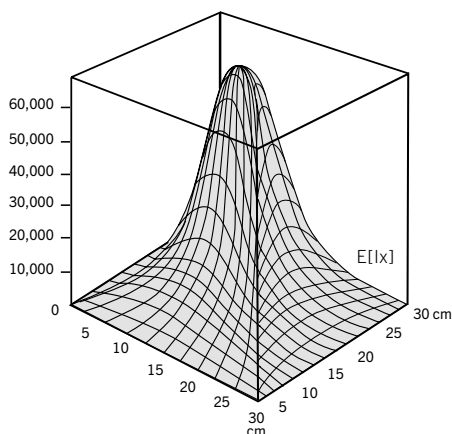
The low power consumption of the marLED® E1 means not only an energy-efficient device but it also ensures that the LEDs have a long service life.

With the ergonomic handle and the robust flex arm and the ability to rotate the light head up to 280° make positioning the light quick and easy.

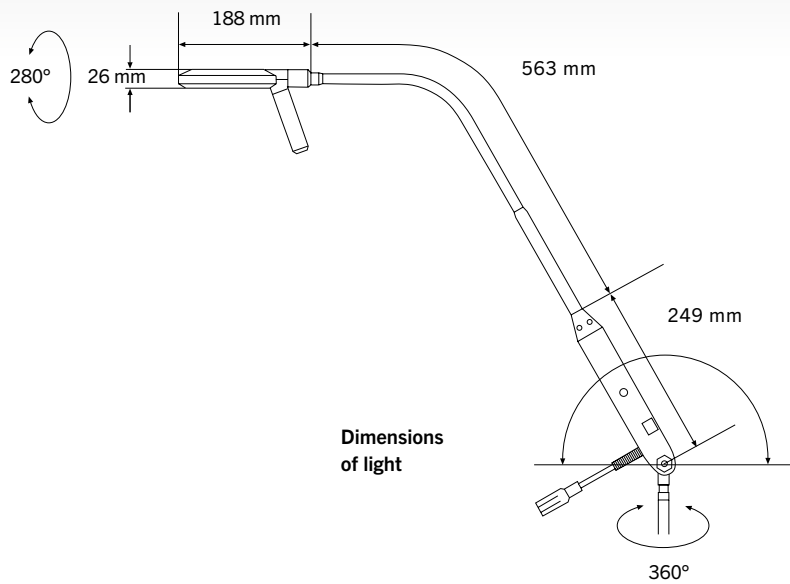
Optimal illumination



Light distribution – marLED® E1



marLED® E1 models



Technical data

Electrical values	
Rated input voltage	100 – 240 VAC
Power input	50 – 60 Hz
Frequency range	20 W
Illumination values*	
Central illumination E_c at 0.5 m distance	50,000 lx *
Light field diameter d_{10} at 0.5 m distance	$\varnothing = 180$ mm
Light field diameter d_{50} at 0.5 m distance	$\varnothing = 100$ mm
Color temperature	4,400 K *
Color rendering index R_a	> 93
Color rendering index R_9	> 90
Weight	
Rail attachment marLED® E1	1.4 kg
Ceiling marLED® E1	3.3 kg
Mobile marLED® E1	8.7 kg
Wall marLED® E1	1.4 kg

User interface	
Operation	1/0 switch on arm
Classification	
marLED® E1 mobile, wall, DIN rail	Protection Class II
marLED® E1 ceiling	Protection Class I
Protection type as per IEC 60529	IP 20
Classification as per 93/42/EEC – Annex IX (medical device class)	Class I
Classification as per Directive 93/42/EEC – Annex IX (medical device class)	Class I
Electrical safety testing and EMC as per	IEC 60601-1 IEC 60601-2-41 IEC 60601-1-2
Service life of light source	
Anticipated service life of LED	50,000 h

* For production reasons and metrological reasons, all of the data provided relating to the light output has a tolerance of - 10% to + 20%.

Ordering data

89-701-00-04 Mobile marLED® E1	89-701-03-04 Rail attachment marLED® E1	89-701-02-04 Ceiling marLED® E1	89-701-01-04 Wall marLED® E1

KLS Martin Group

KLS Martin Australia Pty Ltd.

Sydney · Australia
Tel. +61 2 9439 5316
australia@klsmartin.com

KLS Martin do Brasil Ltda.

São Paulo · Brazil
Tel. +55 11 3554 2299
brazil@klsmartin.com

KLS Martin Medical (Shanghai) International Trading Co., Ltd

Shanghai · China
Tel. +86 21 5820 6251
info@klsmartin.com

KLS Martin India Pvt Ltd.

Chennai · India
Tel. +91 44 66 442 300
india@klsmartin.com

KLS Martin Italia S.r.l.

Milan · Italy
Tel. +39 039 605 67 31
info@klsmartin.com

KLS Martin Japan K.K.

Tokyo · Japan
Tel. +81 3 3814 1431
info@klsmartin.com

KLS Martin SE Asia Sdn. Bhd.

Penang · Malaysia
Tel. +604 261 7060
malaysia@klsmartin.com

KLS Martin de México, S.A. de C.V.

Mexico City · Mexico
Tel. +52 55 7572 0944
mexico@klsmartin.com

KLS Martin Nederland B.V.

Huizen · Netherlands
Tel. +31 35 523 45 38
infonl@klsmartin.com

KLS Martin SE & Co. KG

Moscow · Russia
Tel. +7 499 792 76 19
russia@klsmartin.com

KLS Martin Taiwan Ltd.

Taipei · Taiwan
Tel. +886 2 2325 3169
taiwan@klsmartin.com

KLS Martin SE & Co. KG

Dubai · United Arab Emirates
Tel. +971 4 454 16 55
middleeast@klsmartin.com

KLS Martin UK Ltd.

Reading · United Kingdom
Tel. +44 118 467 1500
info.uk@klsmartin.com

KLS Martin LP

Jacksonville · Florida, USA
Tel. +1 904 641 77 46
usa@klsmartin.com

KLS Martin SE Asia Sdn. Bhd.

Hanoi · Vietnam
Tel. +49 7461 706-0
info@klsmartin.com

KLS Martin SE & Co. KG

A company of the KLS Martin Group

KLS Martin Platz 1 · 78532 Tuttlingen · Germany
PO Box 60 · 78501 Tuttlingen · Germany
Tel. +49 7461 706-0 · Fax +49 7461 706-193
info@klsmartin.com · www.klsmartin.com